



- ✓ 2' x 3' Process area
- ✓ Precision Ball Screws on all three axes
- ✓ 2 HP HSD high frequency collet spindle
- ✓ Brushless micro stepper motors and controls
- ✓ Aluminum t-slot table for easy part fixturing
- ✓ Automatic tool calibration pad
- ✓ THK rails and bearings
- ✓ Easy to learn and operate



Route



Carve



Engrave



Braille Insertion Tool Available

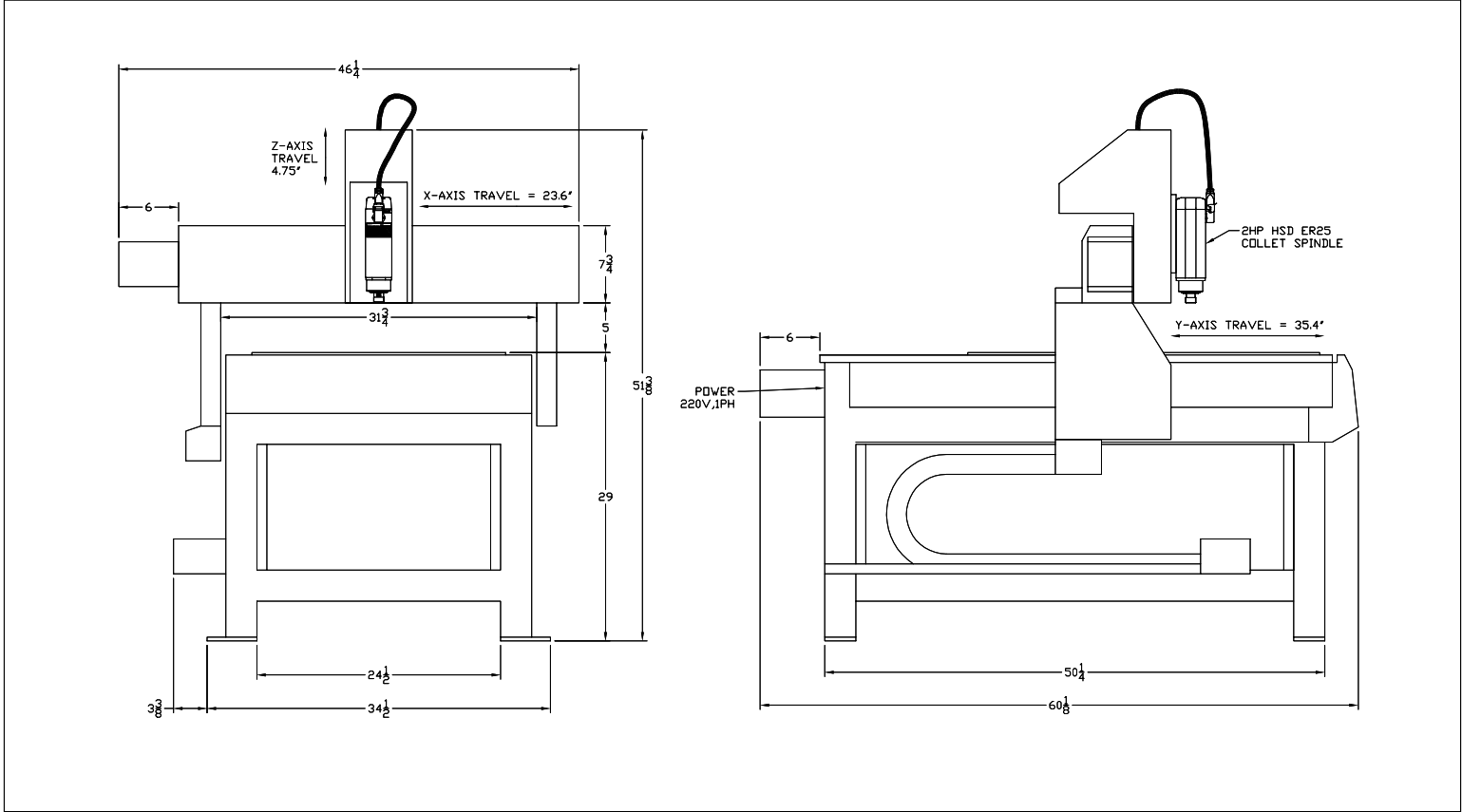
Bead Insert

HEAVY DUTY & AFFORDABLE ...

The HD Mini is a heavy-duty machine that is an affordable CNC work platform. Ideal for any size shop requiring a compact machine to run small routing jobs or to be used as an educational tool. The HD Mini features ball screw drives on all three axes and is controlled using a Techno easy-to-use hand-held micro stepper controller. The controller can run G-Code or dxf file formats.

OPTIONS

- Cam clamp
- Clamp bar
- Toggle clamp set (4 pcs)
- Router bit sets
- Coolant system
- Braille Bead Insertion Tool
- Engraving Tool



Process area
X = 23.6" (599.44 mm)
Y = 35.4" (899.16 mm)
Z = 4.75" (120.65 mm)

Model HD 2435

Specifications:

- Gantry Clearance = 5.0" (127 mm)
- Cut speed: 200 in/min
- Rapid speed: 230 in/min
- Power requirements: 220V and 1 Phase